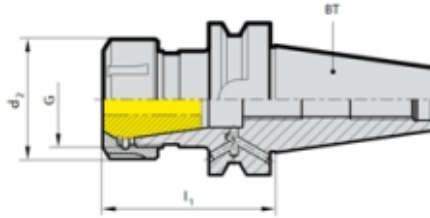


## BT30 / 40 ER 筒夾式刀桿 (BT50 on request)

### 產品特性說明

- MAS/BT according to DIN ISO 7388-2 form JD/JF
- 動平衡 G 6.3 / 15,000 rpm
- coolant supply form JD/JF (BT30 JD型無側邊出水設計)
- for collet chuck holders with adjustment angle 8° to DIN ISO 15488

- 包含鎖固螺帽
- 配合筒夾 鈔領編號 4307
- 配合扳手 鈔領編號 4913
- 拉頭 鈔領編號 4927, 4928 (需額外購買)
- BT50 on request 另行報價



鈔領編號

4245



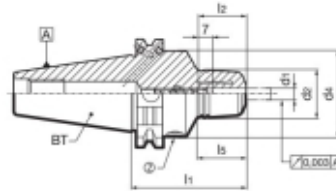
BT	夾持柄徑 d1 mm h6	d2 mm	G	l1 mm	Code no.	價格
30*	ER16 1-10	32	M22x1.5	70	16,030	5,800
30*	ER25 1-16	42	M32x1.5	70	25,030	5,800
40	ER16 1-10	32	M22x1.5	63	16,040	6,700
40	ER25 1-16	42	M32x1.5	60	25,040	6,700
40	ER32 2-20	50	M40x1.5	70	32,040	6,700
40	ER16 1-10	32	M22x1.5	160	16,140	11,900
40	ER25 1-16	42	M32x1.5	160	25,140	11,900
40	ER32 2-20	50	M40x1.5	160	32,140	11,900

## BT30 / 40 高速加工機專用油壓刀桿 \* 中心出水 轉速可達 3萬轉/分

### 產品特性說明

- MAS/BT according to DIN ISO 7388-2 form JD/JF (AD/B)
- BT30 in JD design without coolant supply via the collar
- balancing quality: G 2.5 / 25,000 rpm or rev. < 1 gmm
- perfect concentricity: < 3 μm at 10xd1
- high clamping force
- quick, easy handling and precise length adjustment only possible from the front
- IC and Gührojet peripheral cooling ensure optimal chip removal and tool lubrication
- for tool shanks d1 h6
- for small clamping diameters

- incl. adjusting screw
- suitable accessories separately available:
- BT pull studs art. nr. 4927, 4928
- replacement clamping screw② art. no. 4241
- hexagonal key②, art. no. 4912



鈔領編號

4620



BT	夾持柄徑 d1 mm h6	d2 mm	d4 mm	l1 mm	l2 mm	l5 mm	②SW	Code no.	價格
30*	3	28	-	55	34	22.5	4	3,030	42,800
30*	4	28	-	55	34	22.5	4	4,030	42,800
30*	5	28	-	55	34	22.5	4	5,030	42,800
40	3	28	44.5	94	34	48.5	5	3,040	42,800
40	4	28	44.5	94	34	48.5	5	4,040	42,800
40	5	28	44.5	94	34	48.5	5	5,040	42,800

# HSK-A 63、3° 細頸油壓刀桿

## HSK-A hydraulic chucks, slim design 3°



### Product information:

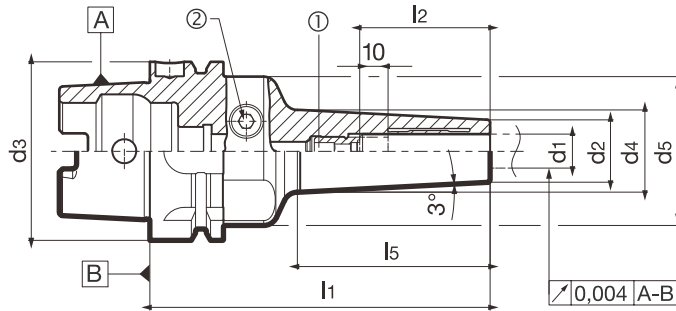
- HSK-A according to ISO 12164-1 / DIN 69893-1
- balancing quality: G 2.5 / 25,000 rpm  
or rev. < 1 gmm
- for tool shanks d1 h6
- axial length adjustment
- concentricity < 3 μm  
l1 to 120 mm: max. 4 μm

### Scope of delivery:

- incl. adjusting screw (1) art. no. 4941
- incl. clamping screw (2) art. no. 4241

### suitable accessories separately available:

- coolant supply set art. no. 4949
- replacement adjusting screw (1), art. no. 4941
- replacement clamping screw (2) art. no. 4241
- hexagonal key (2), art. no. 4912
- MQL version available on request



HSK-A 63、3° 細頸油壓刀桿



											Article no.	4596	
d3	d1 mm	d2 mm	d4 mm	d5 mm	l1 mm	l2 mm	l5 mm	①	②	②	kg	Order no.	價格
HSK-A 63	6	16	23.0	52.5	120	37	67.5	4941 6.041	4241 10.002	4912 5.000	1.1	4596 6.163	27,000
HSK-A 63	8	18	25.0	52.5	120	37	67.5	4941 8.040	4241 10.002	4912 5.000	1.1	4596 8.163	27,000
HSK-A 63	10	20	27.0	52.5	120	41	67.5	4941 10.050	4241 10.002	4912 5.000	1.1	4596 10.163	27,000
HSK-A 63	12	22	29.0	52.5	120	46	68.0	4941 12.100	4241 10.002	4912 5.000	1.2	4596 12.163	27,000
HSK-A 63	14	24	31.0	52.5	120	46	68.4	4941 14.100	4241 10.002	4912 5.000	1.2	4596 14.163	27,000
HSK-A 63	16	26	33.0	52.5	120	49	68.9	4941 16.100	4241 10.002	4912 5.000	1.2	4596 16.163	27,000
HSK-A 63	18	28	35.0	52.5	120	49	69.4	4941 18.100	4241 10.002	4912 5.000	1.2	4596 18.163	27,000
HSK-A 63	20	30	37.0	52.5	120	51	69.7	4941 20.100	4241 10.002	4912 5.000	1.3	4596 20.163	27,000
HSK-A 63	6	16	27.2	52.5	160	37	108.4	4941 6.041	4241 10.002	4912 5.000	1.2	4596 6.263	29,600
HSK-A 63	8	18	29.2	52.5	160	37	108.4	4941 8.040	4241 10.002	4912 5.000	1.3	4596 8.263	29,600
HSK-A 63	10	20	31.2	52.5	160	41	108.4	4941 10.050	4241 10.002	4912 5.000	1.3	4596 10.263	29,600
HSK-A 63	12	22	33.3	52.5	160	46	109.0	4941 12.100	4241 10.002	4912 5.000	1.4	4596 12.263	29,600
HSK-A 63	14	24	35.3	52.5	160	46	109.4	4941 14.100	4241 10.002	4912 5.000	1.5	4596 14.263	29,600
HSK-A 63	16	26	37.4	52.5	160	49	110.0	4941 16.100	4241 10.002	4912 5.000	1.5	4596 16.263	29,600
HSK-A 63	18	28	39.4	52.5	160	49	110.4	4941 18.100	4241 10.002	4912 5.000	1.6	4596 18.263	29,600
HSK-A 63	20	30	41.5	52.5	160	51	112.0	4941 20.100	4241 10.002	4912 5.000	1.6	4596 20.263	29,600

# BT30 DC 兩面拘束油壓刀桿

## MAS/BT DC hydraulic chucks with axial plane



### Product information:

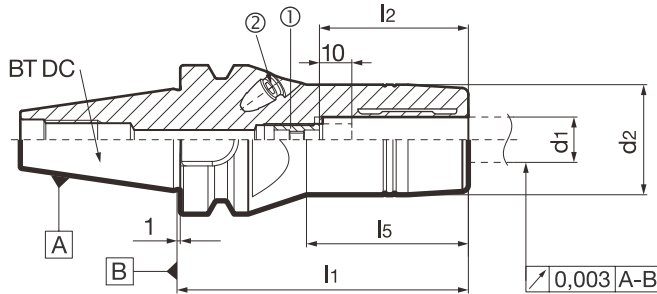
- MAS/BT DC with axial plane, sim. ISO 7388-2, form JD
- balancing quality: G 2.5 / 25,000 rpm or rev. < 1 gmm
- for tool shanks d1 h6
- axial length adjustment

### Scope of delivery:

- incl. adjusting screw (1) art. no. 4900
- incl. clamping screw (2) art. no. 4241

### suitable accessories separately available:

- BT pull studs art. nr. 4927, 4928
- replacement adjusting screw (1), art. no. 4900
- replacement clamping screw (2) art. no. 4241
- hexagonal key (2), art. no. 4912



BT30 DC 兩面拘束油壓刀桿



										Article no.	4598	
BT DC	d1 mm	d2 mm	l1 mm	l2 mm	l5 mm	①	②	②	kg	Order no.	價格	
BT 30	6	26.0	51	37	29.0	4900 6.014	4241 8.000	4912 4.000	0.4	4598 6.030	24,800	
BT 30	8	28.0	51	37	29.0	4900 8.014	4241 8.000	4912 4.000	0.4	4598 8.030	24,800	
BT 30	10	30.0	51	41	29.0	4900 10.014	4241 8.000	4912 4.000	0.5	4598 10.030	24,800	
BT 30	12	32.0	51	46	19.5	4900 12.014	4241 8.000	4912 4.000	0.5	4598 12.030	24,800	
BT 30	14	34.0	90	46	50.0	4900 12.014	4241 8.000	4912 4.000	0.8	4598 14.030	24,800	
BT 30	16	38.0	90	49	50.0	4900 16.014	4241 8.000	4912 4.000	0.8	4598 16.030	24,800	
BT 30	18	40.0	90	49	50.0	4900 16.014	4241 10.002	4912 5.000	0.9	4598 18.030	24,800	
BT 30	20	42.0	90	51	50.0	4900 20.114	4241 10.002	4912 5.000	0.9	4598 20.030	24,800	

## Hydraulic chuck set 油壓刀桿組

### Product information:

- Case set 1, order no. 4666 20.063: Hydraulic chuck HSK-A 63, art. no. 4662
- Case set 2, order no. 4666 20.040: Hydraulic chuck SK 40, art. no. 4663
- Case set 3, order no. 4666 20.140: Hydraulic chuck MAS/BT 40, art. no. 4664
- further information can be found under the respective art. no.

### Scope of delivery:

- 1 hydraulic chuck, 5 reduction bushes (Ø 6/8/10/12/16mm), art. no. 4665, 1 clamping wrench, art. no. 4912, 1 adjusting screw, art. no. 4900

### suitable accessories separately available:

- coolant supply set art. no. 4949
- ISO pull studs art. no. 4925, 4926
- BT pull studs art. nr. 4927, 4928
- replacement adjusting screw (1), art. no. 4900
- hexagonal key art. no. 4912

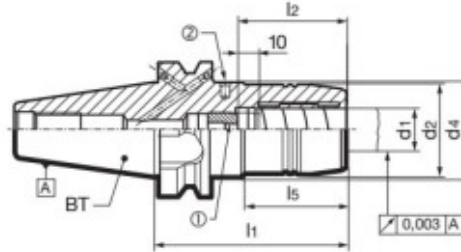


包含1個刀桿、5個筒夾、1個扳手、1個調整螺絲

				Article no.	4666	
HSK/SK/BT		for shank Ø		Order no.	價格	
HSK-A 63		20.00		4666 20.063	28,700	
SK 40		20.00		4666 20.040	28,200	
BT 40		20.00		4666 20.140	28,200	

## 產品特性說明

- MAS/BT to DIN ISO 7388-2 Form JD/JF (BT30 JD型無側邊出水設計)
- 動平衡 G2.5 / 25,000 rpm or rev. < 1 gmm
- 夾持柄徑公差必須 h6
- 軸向長度設定螺絲
- 偏擺 3 μm
- 包含調整螺絲 ① Guhring no. 4900
- 包含clamping screw ② Guhring no. 4241
- 選購拉頭 Guhring no. 4927, 4928
- 選購六角扳手 ② Guhring no. 4912



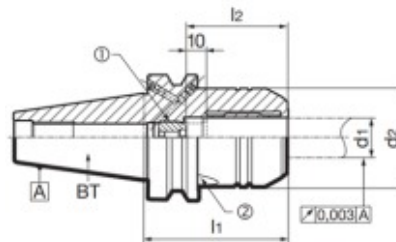
BT	夾持柄徑 d1 mm h6	d2 mm	d4 mm	l1 mm	l2 mm	l5 mm	① 調整螺絲 4900....	SW	重量 Kg	Code.	價格
30*	6	26	-	51	37		6,014	4	0.6	6,030	18,500
30*	8	28	-	51	37		8,014	4	0.6	8,030	18,500
30*	10	30	-	51	41		10,014	4	0.6	10,030	18,500
30*	12	32	-	51	46	19.5	12,014	4	0.6	12,030	18,500
30*	16	38	-	90	49	50	16,014	4	1.0	16,030	18,500
30*	20	42	-	90	51	50	20,114	5	1.0	20,030	18,500
40	6	26	44.5	90	37	43	6,014	5	1.5	6,040	18,500
40	8	28	44.5	90	37	44.5	8,014	5	1.5	8,040	18,500
40	10	30	44.5	90	41	44.5	10,014	5	1.5	10,040	18,500
40	12	32	44.5	90	46	44.5	12,014	5	1.5	12,040	18,500
40	14	34	44.5	90	46	44.5	12,014	5	1.5	14,040	18,500
40	16	38	44.5	90	49	47.5	16,014	5	1.5	16,040	18,500
40	18	40	49.5	90	49	47.5	16,014	5	1.5	18,040	18,500
40	20	49.5	49.5	72.5	51	-	20,114	5	1.5	20,040	17,000
40	20	0	44.5	90	51	47.5	20,114	5	1.5	20,140	18,500
40	25	49.5	49.5	83	57	-	20,114	6	1.8	25,040	19,800
40	32	63	80	83	61	25.5	20,114	6	2.0	32,040	19,800
50	12	32	44.5	90	46	34	12,014	5	4	12,050	23,400
50	20	42	44.5	90	51	34	20,114	6	4	20,050	23,400
50	32	72	72	90	61	-	20,114	6	4	32,050	22,600

## 產品特性說明

- MAS/BT to DIN ISO 7388-2 Form JD/JF
- balancing quality: G 2.5 / 25,000 rpm or rev. < 1 gmm
- for tool shanks d1 h6
- axial length adjustment
- incl. adjusting screw ① art. no. 4900
- incl. clamping screw ② art. no. 4241

suitable accessories separately available:

- BT pull studs art. nr. 4927, 4928
- replacement adjusting screw ①, art. no. 4900
- replacement clamping screw ② art. no. 4241
- hexagonal key ②, art. no. 4912
- reduction bush art. no. 4665



## 價格實惠

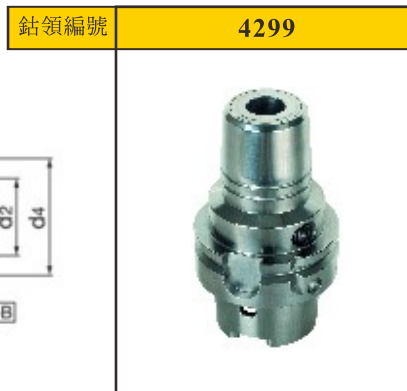
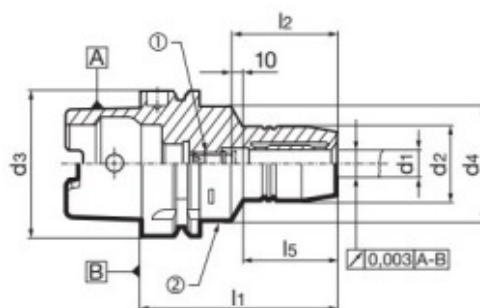
		SuperLine	
銜領編號	4664	Code.	價格
40	20	20,040	11,900

BT	夾持柄徑 d1 mm h6	d2 mm	d4 mm	l1 mm	l2 mm	l5 mm	SW	重量 Kg	Code.	價格
40	20	49.3	-	72.5	51		5	1.2	20,040	11,900

# HSK-A 油壓夾頭

## 產品特性說明

- HSK-A according to ISO 12164-1 / DIN 69893-1
- dimensions according to DIN 69882-7
- 動平衡 G 2.5 / 25,000 rpm or rev. < 1 gmm
- 刀具夾持柄徑公差必須 h6
- 軸向調整長度設定
- 偏擺 3 μm
- l<sub>1</sub> = 120 mm: 偏擺 4 μm,
- l<sub>1</sub> = 150/160 mm: 偏擺 5 μm,
- l<sub>1</sub> = 200 mm: 偏擺 7 μm
- 包含調整螺絲 Guhring no. 4900
- 包含 clamping screw ② Guhring no. 4241
- 中心出水環 Guhring no. 4949 需額外購買
- 選購六角扳手 ② Guhring no. 4912



HSK-A d <sub>3</sub>	夾持柄徑 d <sub>1</sub> mm h6	d <sub>2</sub> mm	d <sub>4</sub> mm	l <sub>1</sub> mm	l <sub>2</sub> mm	l <sub>5</sub> mm	① 調整螺絲 4900....	SW	重量 Kg	Code.	價格
32	6	26	40	80	37	29	6.014	4	0.44	6,032	19,100
32	8	28	40	80	37	29	8.014	4	0.40	8,032	19,100
32	10	30	40	85	41	35	8.014	4	0.40	10,032	19,100
32	12	32	40	90	46	40	8.014	4	0.40	12,032	19,100
40	6	26	33.5	70	37	36	6.014	4	0.60	6,040	20,200
40	8	28	33.5	70	37	36	8.014	4	0.60	8,040	20,200
40	10	30	33.5	75	41	42	8.014	4	0.60	10,040	20,200
40	12	32	33.5	80	46	48	8.014	4	0.60	12,040	20,200
50	6	26	40	70	37	28	6.014	4	0.80	6,050	20,900
50	8	28	40	70	37	28	8.014	4	0.80	8,050	20,900
50	10	30	40	75	41	34	10.014	4	0.80	10,050	20,900
50	12	32	40	85	46	44	12.014	4	0.80	12,050	20,900
50	14	34	40	85	46	44	12.014	5	0.80	14,050	20,900
50	16	38	53	90	49	30	16.014	5	1.10	16,050	20,900
50	18	40	57	90	49	30	16.014	5	1.10	18,050	20,900
50	20	42	60	90	51	29	20.014	5	1.10	20,050	20,900
63	6	26	50	70	37	24.5	6.014	5	0.97	6,063	20,700
63	8	28	50	70	37	24.5	8.014	5	0.97	8,063	20,700
63	10	30	50	80	41	35.5	10.014	5	1.00	10,063	20,700
63	12	32	50	85	46	41.5	12.014	5	1.12	12,063	20,700
63	14	34	50	85	46	41.5	12.014	5	1.08	14,063	20,700
63	16	38	50	90	49	45.5	16.014	5	1.18	16,063	20,700
63	18	40	50	90	49	48.5	16.014	5	1.18	18,063	20,700
63	20	42	50	90	51	47.5	20.114	5	1.20	20,063	20,700
63	25	57	63	120	57	55.3	20.114	6	2.11	25,063	20,700
63	32	64	75	125	61	63	20.114	6	2.40	32,063	20,700
63	6	26	50	150	37	103	6.014	5	1.50	6,163	37,300
63	8	28	50	150	37	104	8.014	5	1.50	8,163	37,300
63	10	30	50	150	41	104	10.014	5	1.50	10,163	37,300
63	12	32	50	150	46	105	12.014	5	1.50	12,163	37,300
63	14	34	50	150	46	105	12.014	5	1.70	14,163	37,300
63	16	38	50	150	49	106	16.014	5	1.80	16,163	37,300
63	18	40	50	150	49	107	16.014	5	1.90	18,163	37,300
63	20	42	50	150	51	108	20.114	5	1.90	20,163	37,300
63	6	26	50	200	37	153	6.014	5	1.70	6,263	38,800
63	8	28	50	200	37	154	8.014	5	1.70	8,263	38,800
63	10	30	50	200	41	154	10.014	5	1.80	10,263	38,800
63	12	32	50	200	46	155	12.014	5	1.80	12,263	38,800
63	14	34	50	200	46	155	12.014	5	2.00	14,263	38,800
63	16	38	50	200	49	156	16.014	5	2.20	16,263	38,800
63	18	40	50	200	49	157	16.014	5	2.30	18,263	38,800
63	20	42	50	200	51	158	20.114	5	2.50	20,263	38,800

## 產品特性說明

- HSK-A according to ISO 12164-1 / DIN 69893-1
- balancing quality: G 2.5 / 25,000 rpm or rev. < 1 gmm
- for tool shanks d<sub>1</sub> h6
- axial length adjustment
- incl. adjusting screw art. no. 4900

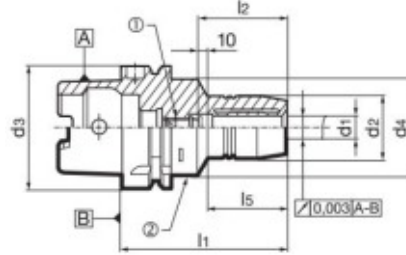
- suitable accessories separately available:
- coolant supply set art. no. 4949
  - replacement adjusting screw, art. no. 4900
  - replacement clamping screw art. no. 4241
  - hexagonal key, art. no. 4912

## 價格實惠

								SuperLine		
								鉗領編號	4662	
HSK-A d <sub>3</sub>	夾持柄徑 d <sub>1</sub> mm h6	d <sub>2</sub> mm	l <sub>1</sub> mm	l <sub>2</sub> mm		SW	重量 Kg	Code.	價格	
63	20	52.5	80	51		5	1.31	20,063	12,400	

## 產品特性說明

- HSK-A according to ISO 12164-1 / DIN 69893-1
- dimensions according to DIN 69882-7
- 動平衡 G 2.5 / 25,000 rpm or rev. < 1 gmm
- 刀具夾持柄徑公差必須 h6
- 軸向調整長度設定
- 偏擺 3  $\mu$ m
- $l_1 = 120$  mm: 偏擺 4  $\mu$ m,
- $l_1 = 150/160$  mm: 偏擺 5  $\mu$ m,
- $l_1 = 200$  mm: 偏擺 7  $\mu$ m
- 包含調整螺絲 Guhring no. 4900
- 包含 clamping screw ② Guhring no. 4241
- 中心出水環 Guhring no. 4949 需額外購買
- 選購六角扳手 ② Guhring no. 4912



HSK-A d3	夾持柄徑 d1 mm h6	d2 mm	d4 mm	l1 mm	l2 mm	l3 mm	① 調整螺絲 4900....	SW	重量 Kg	Code.	價格
80	6	26	50	70	37	24	6.014	5	1.50	6,080	26,400
80	8	28	50	70	37	24	8.014	5	1.50	8,080	26,400
80	10	30	50	80	41	35	10.014	5	1.50	10,080	26,400
80	12	32	50	85	46	40	12.014	5	1.60	12,080	26,400
80	14	34	50	85	46	40	12.014	5	1.60	14,080	26,400
80	16	38	50	95	49	51	16.014	5	1.70	16,080	26,400
80	18	40	50	95	49	51	16.014	5	1.80	18,080	26,400
80	20	42	50	95	51	52	20.114	5	1.80	20,080	26,400
80	25	57	63	110	57	65	20.114	6	2.60	25,080	26,400
80	32	64	75	125	61	63	20.114	6	3.20	32,080	26,400
100	6	26	50	75	37	26	6.014	5	2.40	6,100	28,400
100	8	28	50	75	37	26	8.014	5	2.40	8,100	28,400
100	10	30	50	90	41	42	10.014	5	2.50	10,100	28,400
100	12	32	50	95	46	47	12.014	5	2.50	12,100	28,400
100	14	34	50	95	46	47	12.014	5	2.50	14,100	28,400
100	16	38	50	100	49	53	16.014	5	2.70	16,100	28,400
100	18	40	50	100	49	53	16.014	5	2.70	18,100	28,400
100	20	42	50	105	51	59	20.114	5	3.20	20,100	28,400
100	25	57	63	110	57	62	20.114	6	3.30	25,100	28,400
100	32	64	75	110	61	62	20.114	6	3.80	32,100	28,400
100	6	26	50	160	37	104	6.014	5	2.80	106,100	38,800
100	8	28	50	160	37	104	8.014	5	2.80	108,100	38,800
100	10	30	50	160	41	105	10.014	5	2.90	110,100	38,800
100	12	32	50	160	46	105	12.014	5	2.90	112,100	38,800
100	14	34	50	160	46	107	12.014	5	2.90	114,100	38,800
100	16	38	50	160	49	107	16.014	5	3.20	116,100	38,800
100	18	40	50	160	49	108	16.014	5	3.20	118,100	38,800
100	20	42	50	160	51	108	20.114	5	3.60	120,100	38,800
100	25	57	63	160	57	110	20.114	6	3.70	125,100	38,800
100	32	64	75	160	61	110	20.114	6	4.20	132,100	38,800
100	6	26	50	200	37	144	6.014	5	3.00	206,100	40,400
100	8	28	50	200	37	144	8.014	5	3.00	208,100	40,400
100	10	30	50	200	41	145	10.014	5	3.10	210,100	40,400
100	12	32	50	200	46	145	12.014	5	3.10	212,100	40,400
100	14	34	50	200	46	147	12.014	5	3.10	214,100	40,400
100	16	38	50	200	49	147	16.014	5	3.40	216,100	40,400
100	18	40	50	200	49	148	16.014	5	3.40	218,100	40,400
100	20	42	50	200	51	148	20.114	5	3.80	220,100	40,400
100	25	57	63	200	57	150	20.114	6	3.90	225,100	40,400
100	32	64	75	200	61	150	20.114	6	4.40	232,100	40,400

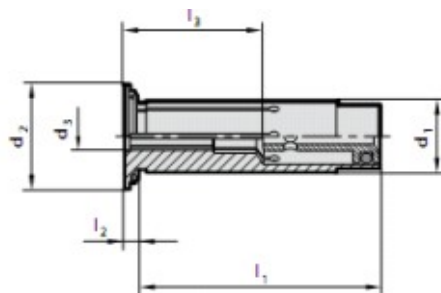
## 油壓刀把專用精密型筒夾(中心出水)

### 產品特性說明

Product information

- for clamping smaller shank-Ø in hydraulic chucks
- clamping-Ø for tool shank tolerance h6
- closed endface, therefore leakproof up to 80 bar
- concentricity  $\leq 2\mu\text{m}$
- with adjustable limit stop
- the application of reduction bushes makes it possible to increase the permissible transferable torque by approx. 25% in comparison to direct clamping

- incl. stop element
- special dimensions on request



鉗領編號	<b>4368</b>
	前端封閉式
	

d1 mm	d3h6 mm	d2 mm	l1 mm	l2 mm	l3 mm	重量 Kg	Code no.	價格
12	3	16.5	45	2	26.5	0.1	3,012	9,200
12	4	16.5	45	2	26.5	0.1	4,012	9,200
12	5	16.5	45	2	26.5	0.1	5,012	9,200
12	6	16.5	45	2	34.5	0.1	6,012	9,200
12	8	16.5	45	2	34.5	0.1	8,012	9,200
20	3	24	50.5	2	28.5	0.1	3,020	8,500
20	4	24	50.5	2	28.5	0.1	4,020	8,500
20	5	24	50.5	2	28.5	0.1	5,020	8,500
20	6	24	50.5	2	37.5	0.1	6,020	6,800
20	7	24	50.5	2	37.5	0.1	7,020	6,800
20	8	24	50.5	2	37.5	0.1	8,020	6,800
20	9	24	50.5	2	42.5	0.1	9,020	6,800
20	10	24	50.5	2	42.5	0.1	10,020	6,800
20	11	24	50.5	2	42.5	0.1	11,020	6,800
20	12	24	50.5	2	47.5	0.1	12,020	6,800
20	13	24	50.5	2	47.5	0.1	13,020	6,800
20	14	24	50.5	2	47.5	0.1	14,020	6,800
20	15	24	50.5	2	47.5	0.1	15,020	6,800
20	16	24	50.5	2	47.5	0.1	16,020	6,800
32	6	35.5	60.5	2	37.5	0.3	6,032	8,500
32	8	35.5	60.5	2	37.5	0.3	8,032	8,500
32	10	35.5	60.5	2	40.5	0.3	10,032	8,500
32	12	35.5	60.5	2	44.5	0.3	12,032	8,500
32	14	35.5	60.5	2	44.5	0.3	14,032	8,500
32	16	35.5	60.5	2	50.5	0.3	16,032	8,500
32	18	35.5	60.5	2	50.5	0.3	18,032	8,500
32	20	35.5	60.5	2	50.5	0.3	20,032	8,500
32	25	35.5	60.5	2	58.5	0.3	25,032	8,500

### 產品特性說明

- for clamping smaller shank Ø in hydraulic chucks
- clamping-Ø for tool shank tolerance h6
- concentricity  $\leq 5\mu\text{m}$
- for a coolant pressure up to 80 bar
- incl. stop element

### 價格實惠

						SuperLine	
						鉗領編號	<b>4665</b>
d1 mm	d3h6 mm	d2 mm	l1 mm	l3 mm	重量 Kg	Code no.	價格
20	6	24	50.5	27		6,020	3,200
20	8	24	50.5	27		8,020	3,200
20	10	24	50.5	31		10,020	3,200
20	12	24	50.5	35		12,020	3,200
20	16	24	50.5	35		16,020	3,200